

# INLGK86T8KN2T

8 Channel 2 TB 4K NVR Bundle  
with 6 x 4.1MP TURRETS

**LiteAI**  
Edge Analytics



## Camera Features

- High quality image with 4MP, 1/3" CMOS sensor
- H.265+ & H.264 encoding
- Supports Micro SD card up to 128GB
- Smart IR, up to 30m (98ft) IR distance

## NVR Features

- Supports H.265+ / H.265 / H.264 compression
- 8-Channel input
- Up to 8 Megapixels resolution recording
- HDMI and VGA simultaneous output
- 1 SATA HDD, Up to 8TB HDD
- Supports cloud upgrade

\*Design and specifications are subjects to change without notice.



# INLGK86T8KN2T

## Product Specifications

### Camera: INLGTO4IRF

#### 4.1 MP Vandal Proof Fixed Turret

Camera					
Image Sensor	1/3", 4.0 megapixel, progressive scan, CMOS				
Scanning System	Progressive				
Electronic Shutter Speed	Auto/Manual, 1 ~ 1/100 000s				
Minimum Illumination	Color: 0.01 lux (F2.0 AGC ON) 0 lux with IR				
S/N Ratio	More than 56dB				
IR Distance	Distance up to 30M (98ft)				
IR On/Off Control	Auto/Manual				
Wide Dynamic Range	DWDR				
Camera Features					
Day/Night	IR-cut filter with auto switch (ICR)				
BLC	Supported				
White Balance	Auto / Outdoor / Fine Tune / Sodium Lamp / Locked				
Noise Reduction	2D/3D DNR				
Flip	Normal/Vertical/Horizontal/180°				
Defog	Digital Defog				
Privacy Masking	Up to 4 areas				
OSD	Up to 8 OSDs				
Smart IR	Supported				
Motion Detection	Up to 4 areas				
Lens					
Lens Type	Fixed				
Focal Length	2.8mm				
Viewing Angle	H: 97°; V: 52.2°; O: 107.5°				
Pan/Tilt/Rotate	Pan: 0° ~ 360°; Tilt: 0 ~ 75°; Rotate: 0° ~ 360°				
DORI	Lens (mm)	Detect	Observe	Recognize	Identify
Distance	2.8	63.0m	25.2m	12.6m	6.3m
Video					
Compression	H.265+ / H.265 / H.264 / MJPEG				
H.264 code profile	Baseline profile, Main profile, High profile				
Frame Rate	Main Stream: 4MP (2560x1440), Max 25fps; 3MP (2304x1296), Max 30fps; 1080P (1920x1080), Max 30fps; 720P (1280x720), Max 30fps				
	Sub Stream: 720P (1280 x 720) Max 30fps; D1 (720 x 576) Max 30fps; 640x360 Max 30fps; 2CIF (704 x 288) Max 30fps; CIF (352 x 288) Max 30fps				
	Third Stream: D1 (720 x 576) Max 30fps; 640 x 360 Max 30fps; 2CIF (704 x 288) Max 30fps; CIF (352 x 288) Max 30fps				
Bit Rate	128 Kbps ~ 6144 kbps				

\*Design and specifications are subjects to change without notice.



# INLGK86T8KN2T

## Product Specifications

### Camera: INLGT04IRF

#### 4.1 MP Vandal Proof Fixed Turret

Network	
Ethernet	1 RJ45 10M/100M Base-TX Ethernet
Protocol	IPv4, IGMP, ICMP, ARP, TCP, UDP, DHCP, RTP, RTSP, RTCP, RTMP, DNS, DDNS, NTP, FTP, UPnP, HTTP, HTTPS, SMTP, QoS, SSL/TLS, SNMP
Compatibility	ONVIF (Profile S, Profile G, Profile T), API , SDK
Management Software	LEGEND VMS, Arkiv
Storage	
Edge Storage	Micro SD slot, up to 128 GB
Network Storage	ANR, NAS(NFS)
AI	
Perimeter Protection functions	Line Crossing & Intrusion ( <b>Human only</b> )
Smart Features	
Detection	Motion Detection, Tampering Alarm
General Function	Watermark, IP address filtering, access policy, ARP protection, RTSP authentication, user authentication
Certifications	
EMC	CE-EMC (EN 55032: 2015+A1:2020,EN 61000-3-3: 2013+A1: 2019,EN IEC 61000-3-2: 2019+A1: 2021,EN 55035: 2017+A11:2020) FCC (FCC CFR 47 part15 B, ANSI C63.4-2014)
Safety	CE LVD (EN 62368-1:2014+A11:2017) CB (IEC 62368-1:2014) UL (UL 62368-1, 2nd Ed., Issue Date: 2014-12-01)
Environment	CE-RoHS (2011/65/EU;(EU)2015/863); WEEE (2012/19/EU); Reach (Regulation (EC) No 1907/2006)
Protection	IP67 (IEC 60529:1989+AMD1:1999+AMD2:2013)
General	
Power Supply	DC 12V±25%, PoE (IEEE 802.3af)
Power Consumption	Less than 4W
Working Environment	-30° C to +60° (-22°F ~ 140°F) / Less than 95% RH (non-condensing)
Weight	0.66lb (0.30kg)
Dimensions	Φ118 x 97mm (Φ4.6" x 3.8")

\*Design and specifications are subjects to change without notice.

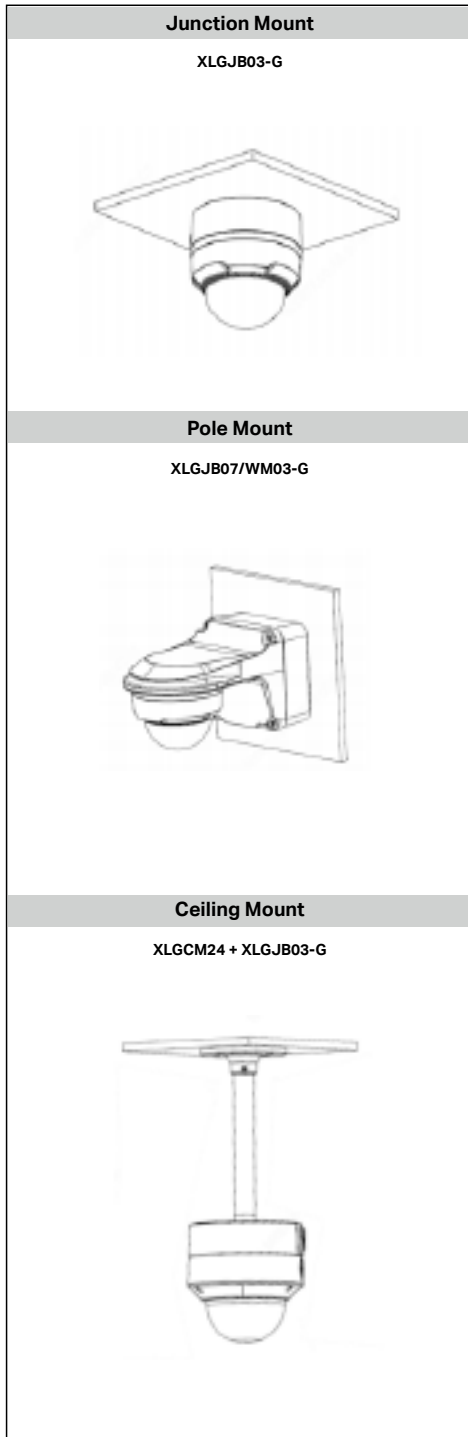


# INLGK86T8KN2T

Camera: INLGTO4IRF

4.1 MP Vandal Proof Fixed Turret

## Product Specifications



**XLGJB07/WM03-G**  
Wall Mount



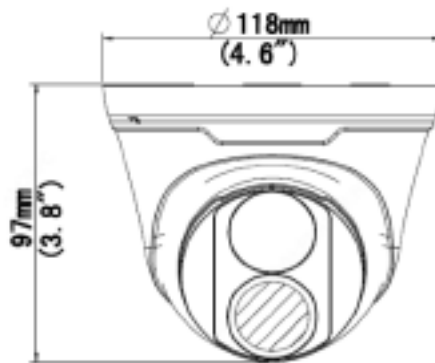
**XLGJB03-G**  
Junction Box



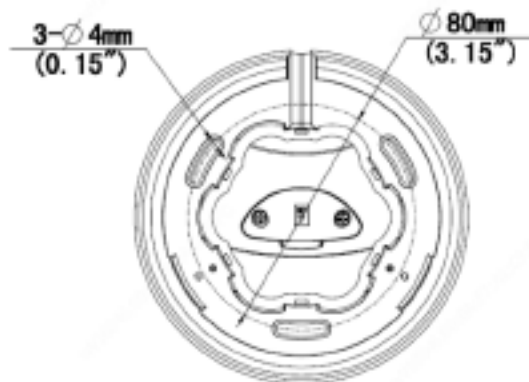
**XLGWM03-D**  
Wall Mount



**XLGA01-IN**  
Waterproof Joint



**XLGCM24**  
Ceiling Mount



**VUSD256G**  
Micro SD Card

\*Design and specifications are subjects to change without notice.



# INLGK86T8KN2T

**NVR: INLG30108S3P8**  
8-Channel 4K NVR

## Product Specifications

System	
IP Video Input	8-Channel
Network	
Incoming Bandwidth	64Mbps
Outgoing Bandwidth	48Mbps
Remote Users	128
Protocols	TCP/IP, P2P, UPnP, NTP, DHCP, PPPoE, HTTP, HTTPS, DNS, DDNS, SMTP, RTSP
Video/Audio Output	
HDMI/VGA Output	HDMI: 3840 x 2160 at 30Hz; 1920 x 1080p at 60Hz; 1920 x 1080p at 50Hz; 1600 x 1200 at 60Hz; 1280 x 1024 at 60Hz; 1280 x 720 at 60Hz; 1024 x 768 at 60Hz
	VGA: 1920 x 1080p at 60Hz; 1920 x 1080p at 50Hz; 1600 x 1200 at 60Hz; 1280 x 1024 at 60Hz; 1280 x 720 at 60Hz; 1024 x 768 at 60Hz
Recording Resolution	4K / 5MP / 4MP / 3MP / 1080p / 960p / 720p / D1 / 2CIF / CIF
Audio Output	1-Channel, RCA
Audio Compression	G.711A, G.711U
Synchronous Playback	8-Channel
Liveview Display	1 / 4 / 6 / 8 / 9
Corridor Mode Screen	3 / 4 / 5 / 7 / 9
Snapshot	
FTP/Schedule/ Event Snapshot	1-ch snapshot, up to D1 resolution
Decoding	
Decoding Format	H.265+ / H.265 / H.264
Liveview/Playback	8MP / 5MP / 4MP / 3MP / 1080p / 960p / 720p / D1 / 2CIF / CIF
Capability	1 x 4K at 30fps; 4 x 5MP at 25fps; 4 x 4MP at 25fps; 8 x 720P at 30fps
Hard Disk	
SATA HDD	Up to 1 SATA HDD
Storage	Up to 8TB for each disk
Smart Features	
Camera Smart Detection	Intrusion Detection, Cross Line Detection, Enter Area, Leave Area, Audio Detection, Smart Motion Detection
Smart Search	Face Search, Behavior Search
Smart Intrusion Prevention	4-Channel
Alarms	
Trigger Events	Motion, Tampering, Human Body Detection, Video Loss, Alarm Input, IP Conflict, Network Disconnected, Disk Offline, Disk Abnormal, Illegal Access, Hard Disk Space Low, Hard Disk Full, Recording/Snapshot Abnormal

\*Design and specifications are subjects to change without notice.

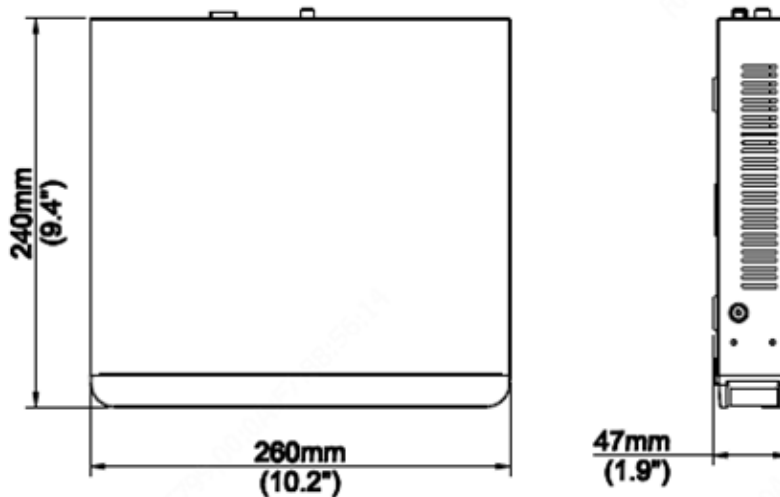


# INLGK86T8KN2T

**NVR: INLG30108S3P8**  
8-Channel 4K NVR

## Product Specifications

External Interface	
Network Interface	1 RJ45 10M/100M self-adaptive Ethernet Interface
USB Interface	Rear panel: 2 x USB2.0
PoE	
Interface	8 RJ45 10M/100M self-adaptive Ethernet Interface
Maximum Capacity	Max: 30W for single port Max: 75W in total
Supported Standard	IEEE 802.3at, IEEE 802.3af
Certifications	
Certifications	CE, FCC, UL, RoHS, WEEE
CE	EN 55032: 2015, EN 61000-3-3: 2013, EN IEC 61000-3-2: 2019, EN 55035: 2017
FCC	Part15 Subpart B, ANSI C63.4
General	
Power Supply	52V DC / Power Consumption: Less than 9W (without HDD)
Working Environment	-10°C to +55°C; Less than 90% RH (non-condensing)
Dimensions (WxDxH)	260mm × 240mm × 46mm (10.2" × 9.4" × 1.8")
Weight (without HDD)	2.43 lbs



\*Design and specifications are subjects to change without notice.

